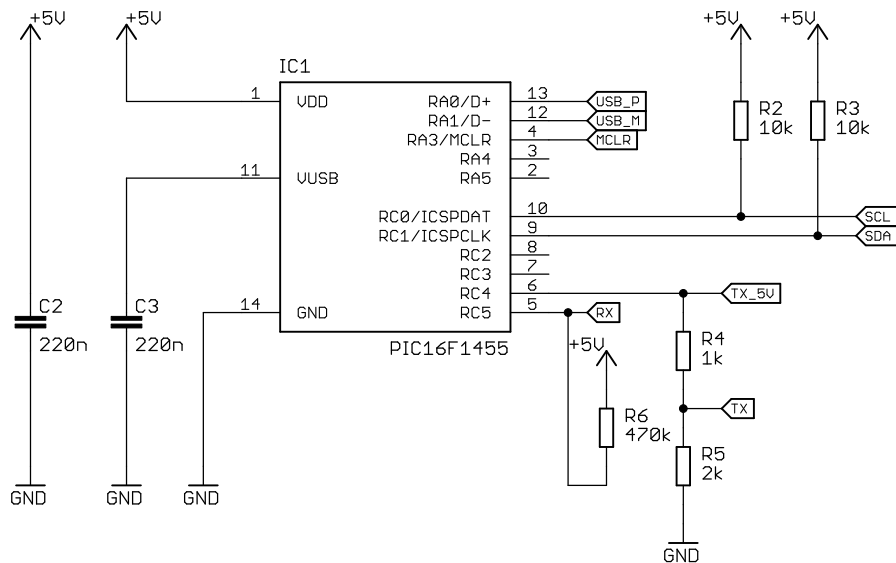
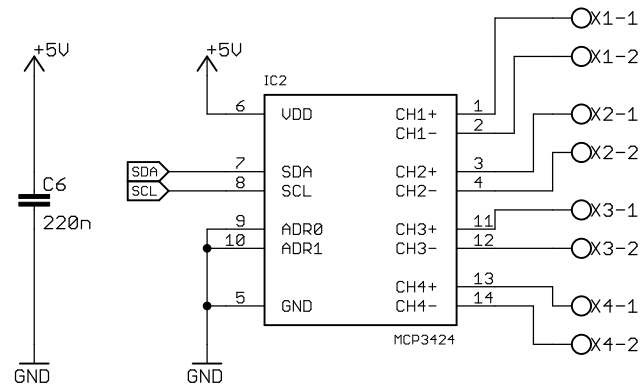


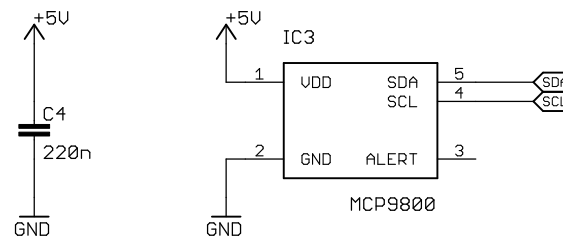
Microcontroller



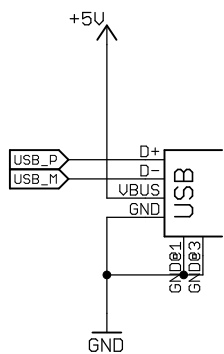
AD-Converter



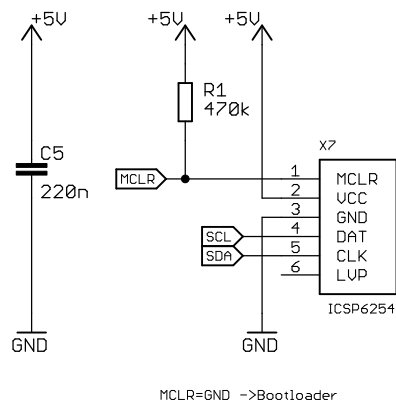
Temperature sensor



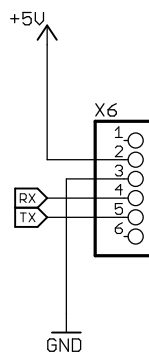
USB



ICSP



UART



THERMOsera SMD board
 (c) 2016 Thomas Fischl

TITLE: thermosera

Document Number:
<http://www.fischl.de/thermosera>

REV:
 1.1

Date: 03.10.16 11:46

Sheet: 1/1